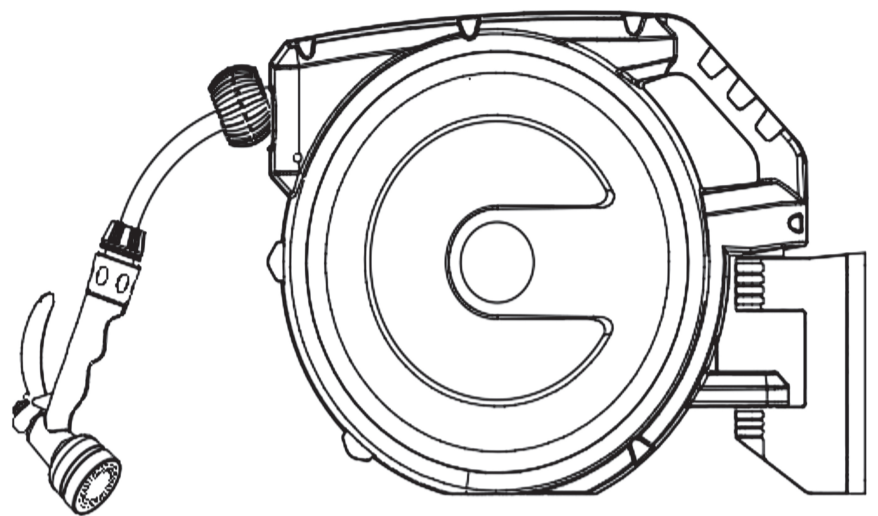


# Flowconcept



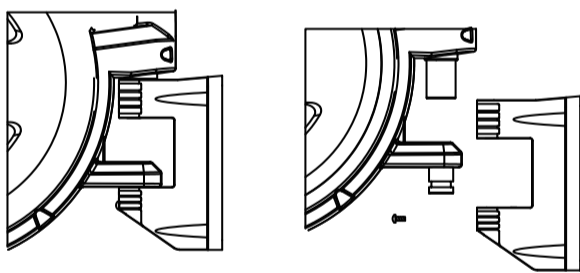
## Owner's Manual

**⚠ WARNING** Please read this manual carefully before attempting to operate, maintain or install the product. Failure to follow the manual could result in personal injury and/or property damage! Save this manual for future reference.

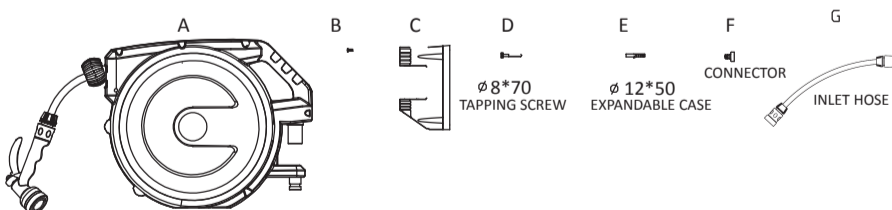
1

### Assembly instructions

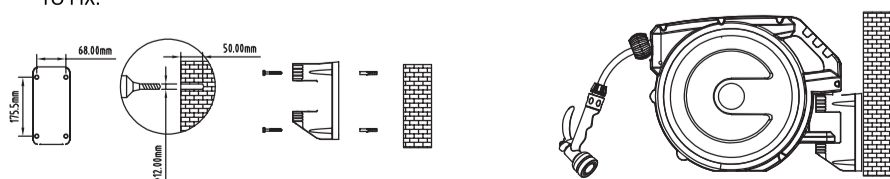
1. TAKE OUT THE HOSE REEL FROM THE BOX. REMOVE THE SCREW AND BRACKET.



2. TAKE OUT OF THE SPARE PARTS IN THE ZIPLOCK BAG.

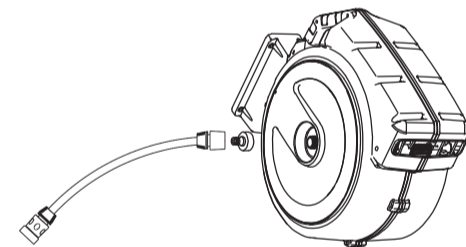


3. USE THE  $\phi$  12.00mm. DRILL 4 HOLES. THE HOLES DEPTH IS ABOUT 50MM. THEN INSERT THE EXPANDABLE CASE INTO THE HOLES. FINALLY INSTALL THE BRACKET WITH THE TAPPING SCREW TO FIX.

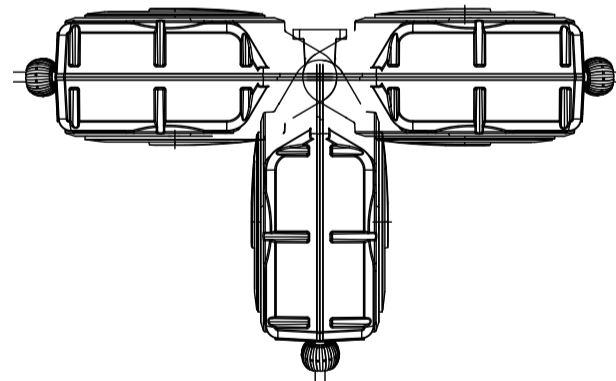


2

4. As follows the picture, assemble F (connector) in the thread position on the left side cover, and then connect G (inlet hose).



5. THE BRACKET ALLOWS 180° SWIVELING.



Two functions.

**Stop anywhere:** Hose can almost be stopped at each inch thanks to patent of tools optional-position lock. This lock system explore the limits of technology in customer's quest for perfect using in a more suitable length.

**Slow return mechanism:** To keep users from potential hurts of to rapid rewinding. Time of returning rise a few seconds so that the whole process becomes more smooth and stable.

### Warning

- \*Keep holding the hose while it rewinds.
- \*The hose must not be under pressure when it is being rewound. Open the nozzle, turn off the water and let all the water run out of the hose before rewinding the hose.
- \*Protect the hose from frost. Store your hose reel away before the first frost sets in and make sure that the hose has been drained for water before storing it away.
- \*If you forget to drain all the hose it will freeze and the hose can be damaged.
- \*If possible mount the hose reel in the shadow.
- \*Please clean the hose before rewinding the hose into the reel.

3